

SHAHIN

ProductColoursDescription

Our take on the classic white pendant. We took the most popular elements in lighting into one by using only brass and glass.

Dimensions

Lamp height	30	cm
Lamp diameter	Ø23	cm
Canopy size	Ø12x2,5	cm
Wire length	250	cm
Item weight	3,1	kg

Material

Mouth blown glass, brass and textile cord.

Shahin

EAN: 5713874290013

Style No.: 29001

Package information

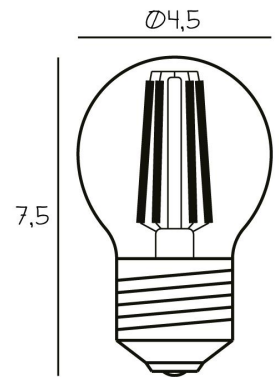
Package type: Cardboard box
 Package Measurement:
 L - 50 x W - 30 x H - 32 cm
 Package weight - Total: 4,2 kg
 Number of parcels: 1 pcs.
 Colli quantity: 1 pcs.

Contents

- Lamp
- Cord
- Base

Light source

Recommended bulb type: Arbitrary bulb Ø45
 Socket: E14
 Voltage: 220 - 240 V (CE)
 110 V (US)
 Max. light output:
 3,5 W LED
 Colour Temp.: 2200 Kelvin
 Lumen: 245
 Dimmable: Yes
 Lightbulb incl.: No



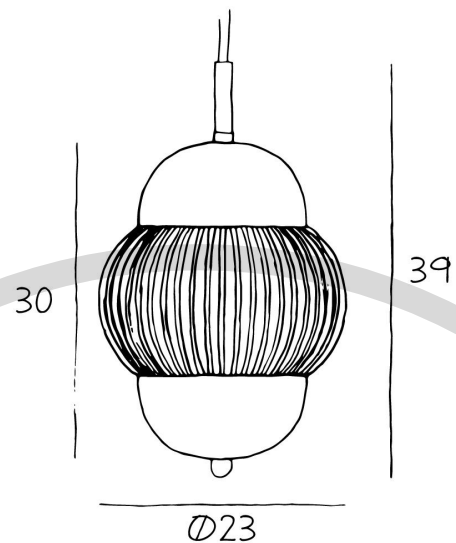
Use restrictions

Environment - Indoors
 IP Classification - IPXX
 Certifications and labels

Safety instructions

If the cord or other electrical parts are damaged, switch off the lamp and do not use it until it is repaired by a qualified electrician.

Technical drawing



DESIGN BY US

SHAHIN

MOUNTING INSTRUCTIONS

NB! When handling this lamp please always handle with care as this is a **fragile product**.

NB! Always read the mounting instructions before mounting. If you do not feel comfortable please call a qualified electrician.

NB! For best light distribution always use frosted bulbs. Max 40W in total.

- 1 Lower the white glass shade onto the base.
- 2 Carefully place the clear glass shade and make sure it is placed correct.
- 3 Lower the metal ring onto the glass and press slightly while tightening the hex screw.
- 4 Mount all bulbs.
- 5 Turn the lamp upside down and place the frosted disc over the thread.
- 6 Place the small protective disc on top of the frosted disc.
- 7 Carefully place the second clear glass shade and make sure it is placed correct.
- 8 Lower the metal tube onto the glass and press slightly while twisting and tightening.
- 9 Always use the right plugs for your ceiling to mount the lamp securely.
- 10 Always make sure to use the correct screws to make sure lamp is securely fastened.
- 11 Shorten the cord if necessary and connect it to the circuit.
- 12 Mount the canopy to the bracket with the two provided screws and tightening the hex screw.