

# NUURA



## MIIRA 6 CIRCULAR Brass/Optic Clear

Design: Sofie Refer, 2020. EU-model.

**Miira 6 Circular in mouth-blown Optic Clear glass and Brass finish. Incl. Ceiling plate.**

The significant details of Miira are the fine curves and thin neck that gives a graceful appearance. The Miira Collection features mouth-blown glass globes in both Opal White and Optic Clear. The Optic glass has slight variances due to the handmade process, which makes each piece unique.

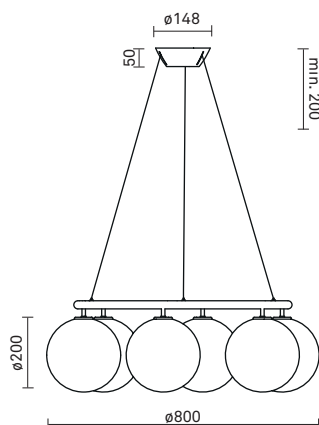
Miira collection is designed with the chandelier as a centre and expands into a complete series of lights, manufactured in the highest quality.

**Miira 6 Circular**, comprising six mouth-blown glass domes, has a diameter of 80 cm, making it ideal to place above a dining table or sofa.

### Miira collection

The Miira collection include the following products:

- **Miira 1:** Rock Grey/Brass - Opal White/Optic clear
- **Miira 3:** Rock Grey/Brass - Opal White/Optic clear
- **Miira 1 Large:** Rock Grey/Brass - Opal White/Optic Clear
- **Miira 3 Large:** Rock Grey/Brass - Opal White/Optic Clear
- **Miira 4:** Rock Grey/Brass - Opal White/Optic Clear
- **Miira 6:** Rock Grey/Brass - Opal White/Optic Clear
- **Miira 6 Large:** Rock Grey/Brass, Opal White/Optic Clear
- **Miira 6 Circular:** Dark Bronze/Brass/Rock Grey, Opal White/Optic Clear
- **Miira 8 Circular:** Dark Bronze/Brass/Rock Grey, Opal White/Optic Clear
- **Miira 13:** Rock Grey/Brass - Opal White/Optic Clear
- **Miira 13 Large:** Rock Grey/Brass, Opal White/Optic Clear
- **Miira Wall:** Rock Grey/Brass - Opal White/Optic Clear
- **Miira Table:** Rock Grey/Brass - Opal White/Optic Clear



## TECHNICAL INFO

**Product no.:** 2032001

**Type:** Suspension - Indoor

**Colour:**

Glass: Optic Clear

Metal: Brass

Cable: Clear

**Materials:**

Powder coated metal

Mouth-blown glass

Plastic cable

**Dimensions:**

ø800mm x 200mm

Ceiling plate: ø148mm x 50mm

Plastic cable - Length: 2500mm

Weight (armature + glass): 6900g

**Packaging:**

Dimensions- armature: L: 715mm x W: 715mm x H: 235mm

Dimensions - glass: 6 x L: 235mm x W: 220mm x H: 225mm

Weight: 3800g

Total weight incl. product: 10700g

Number of parcels: 7

Material: Brown cardboard.

**Cleaning:**

Use a soft dry cloth to clean the product.

Do not use household cleaners.

**Certifications and labels:**

**CE** - CE-certified

**IP Rating** - IP20

 - Class II

**Light source:**

Socket: G9

Max wattage: 7W LED

Voltage (V): 220-240V

**Recommended light source:**

G9 LED 2,6W / 300 lumen- dimmable (Philips)

**Bulbs not included**

**Dimmable if installed with appropriate dimmable LED light source(s) suitable for your dimmer circuit.**

Light source can be added to delivery on request or via our webshop [nuura.com](http://nuura.com).

**For DALI compatibility, we recommend to use the Hytronik Trailing Edge Dimmer (HDD2200 DALI Dimmer) and our recommended light sources.**

HDD2200 DALI Dimmer can be added to delivery on request.

**Included ceiling plate:**

