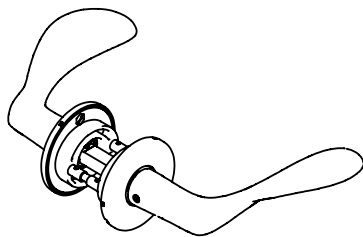
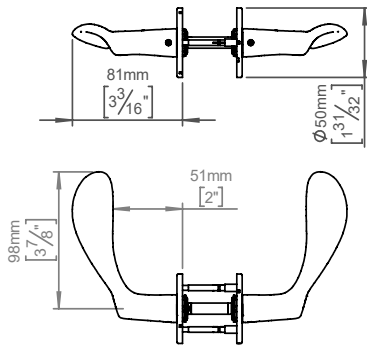


Lever handle AJ97, small



Item number	Surface
12404374001	Satin finish

Arne Jacobsen collection

Product	Snap-on cover, cc 30/38mm, 33-59mm, small, stainless steel.
----------------	---

Tender text	Arne Jacobsen collection, lever handle AJ small pair, 8x8mm, snap-on cover, cc 30/38mm, 33-59mm in satin finished AISI 304 stainless steel. Certified in accordance with EN 1906 to 47-B1140U. 20-year warranty.
--------------------	--

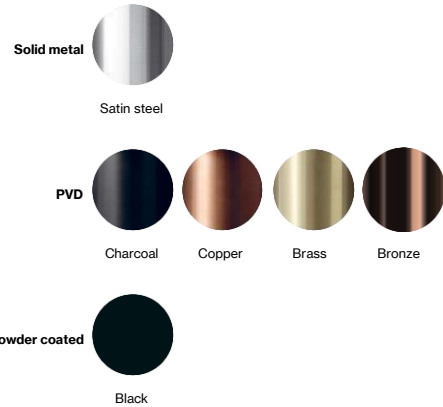
Re-handle®

[Re-handle your product here](#)

Re-handle® this product (does not apply to coated items) to prolong its life span up to 100 years, lowering the Global Warming potential (CO2) between 54-91% depending on the product.

Product specification	Dimensions: 124x50x80mm Material: stainless steel AISI 304 Surface finish: satin finished 20-year warranty (5 years for coated items)
------------------------------	--

Available finishes



Spare parts/ accessories	14970102019 - Grub screw M5x8,3mm 14296174107 - Sectioned bolt set M4x110mm with bush 14281092092 - Spindle for door 33-59mm 14976700105 - TX10 tool kit 14293002002 - Snap-on cover tool
---------------------------------	---

Mounting	https://dline.com/mounting-instructions/
-----------------	---

Product care

d line products are produced in the highest quality AISI 304 stainless steel. To sustain the unique d line finish please follow the below instructions:

- Wash down the surfaces using soapy water or mild detergent
- Always thoroughly rinse off with clean water

- To complete the cleaning procedure dry/polish the surface with a soft dry cloth

Please do not use scouring powder, steel wool, chloride based detergents or other aggressive cleaning products as these may damage the surface.

If spots or corrosion appear on the surface it is not due to the stainless steel quality, but to impurities in the environment, aggressive conditions or improper or insufficient cleaning.