

Lever handle AJ97, small

Arne Jacobsen collection

Product

Solid rose, cc 30mm, 33-59mm, small, stainless steel.

Tender text

Arne Jacobsen collection, lever handle AJ small pair, 8x8mm, solid rose, cc 30 mm, 33-59mm in satin finished AISI 304 stainless steel. Certified in accordance with EN 1906 to 47-B1140U. 20-year warranty.

Re-handle®

[Re-handle your product here](#)

Re-handle® this product (does not apply to coated items) to prolong its life span up to 100 years, lowering the Global Warming potential (CO2) between 54-91% depending on the product.

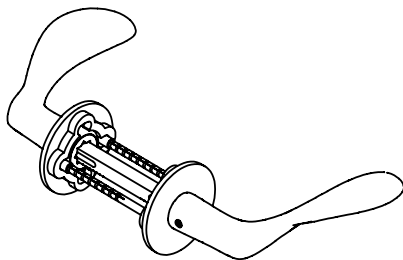
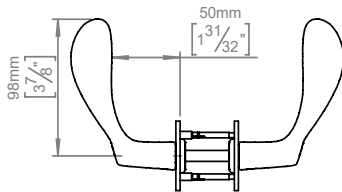
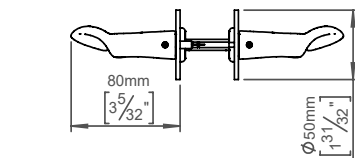
Product specification

Dimensions: 124x50x80mm

Material: stainless steel AISI 304

Surface finish: satin finished

[20-year warranty \(5 years for coated items\)](#)



Available finishes

Solid metal



Satin steel

PVD



Charcoal



Copper



Brass



Bronze

Powder coated



Black

Spare parts/ accessories

14970102019 - Grub screw M5x8,3mm

14296174107 - Sectioned bolt set M4x110mm with bush

14281092092 - Spindle for door 33-59mm

14976700105 - TX10 tool kit

Mounting

<https://dline.com/mounting-instructions/>

Product care

d line products are produced in the highest quality AISI 304 stainless steel. To sustain the unique d line finish please follow the below instructions:

- Wash down the surfaces using soapy water or mild detergent
- Always thoroughly rinse off with clean water

- To complete the cleaning procedure dry/polish the surface with a soft dry cloth

Please do not use scouring powder, steel wool, chloride based detergents or other aggressive cleaning products as these may damage the surface.

If spots or corrosion appear on the surface it is not due to the stainless steel quality, but to impurities in the environment, aggressive conditions or improper or insufficient cleaning.

Lever handle AJ97, small

Arne Jacobsen collection

Product Solid rose, cc 38mm, 33-59mm, small, stainless steel.

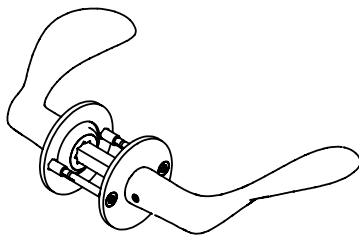
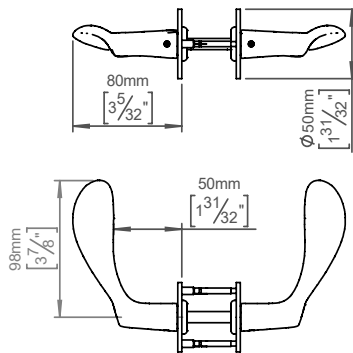
Tender text Arne Jacobsen collection, lever handle AJ small pair, 8x8mm, solid rose, cc 38 mm, 33-59mm in satin finished AISI 304 stainless steel. Certified in accordance with EN 1906 to 47-B1140U. Fire tested in accordance with EN 1634. 20-year warranty.

Re-handle®

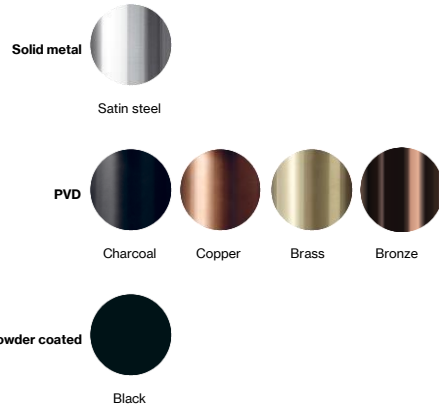
[Re-handle your product here](#)

Re-handle® this product (does not apply to coated items) to prolong its life span up to 100 years, lowering the Global Warming potential (CO2) between 54-91% depending on the product.

Product specification Dimensions: 124x50x80mm
Material: stainless steel AISI 304
Surface finish: satin finished
[20-year warranty \(5 years for coated items\)](#)



Available finishes



Spare parts/ accessories

14970102019 - Grub screw M5x8,3mm
14296174107 - Sectioned bolt set M4x110mm with bush
14281092092 - Spindle for door 33-59mm
14976700105 - TX10 tool kit

Mounting

<https://dline.com/mounting-instructions/>

Product care

d line products are produced in the highest quality AISI 304 stainless steel. To sustain the unique d line finish please follow the below instructions:

- Wash down the surfaces using soapy water or mild detergent
- Always thoroughly rinse off with clean water
- To complete the cleaning procedure dry/polish the surface with a soft dry cloth

Please do not use scouring powder, steel wool, chloride based detergents or other aggressive cleaning products as these may damage the surface.

If spots or corrosion appear on the surface it is not due to the stainless steel quality, but to impurities in the environment, aggressive conditions or improper or insufficient cleaning.