

Lever handle AJ97, small - brass

Item number	Surface
12404201030	Polished

Arne Jacobsen collection

Product Solid rose, cc 30mm, 33-59mm, small, brass.

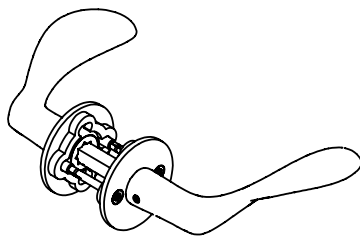
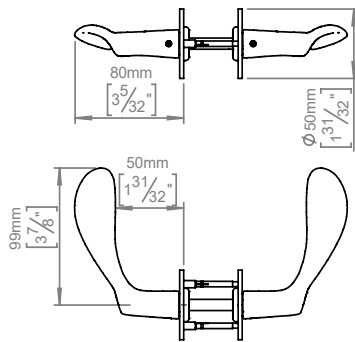
Tender text Arne Jacobsen collection, lever handle AJ small pair, 8x8mm, solid rose, cc 30 mm, 33-59mm in polished brass. Certified in accordance with EN 1906 to 47-B1140U. 20-year warranty.

Re-handle®

[Re-handle your product here](#)

Re-handle® this product (does not apply to coated items) to prolong its life span up to 100 years, lowering the Global Warming potential (CO2) between 54-91% depending on the product.

Product specification Dimensions: 124x50x80mm
Material: brass
Surface finish: polished
[20-year warranty \(5 years for coated items\)](#)



Available finishes

Solid metal



Polished brass

Spare parts/ accessories

14970102019 - Grub screw M5x8,3mm
P 70P - Sectioned bolt set M4x10mm with bush
14281092092 - Spindle for door 33-59mm
14976700105 - TX10 tool kit

Mounting

<https://dline.com/mounting-instructions/>

Product care

d line products are produced in the highest quality brass. To sustain the unique d line finish please follow the below instructions:

- Wash down the surfaces using soapy water or mild detergent
- Always thoroughly rinse off with clean water
- To complete the cleaning procedure dry/polish the surface with a soft dry cloth

Please do not use scouring powder, steel wool, chloride based detergents or other aggressive cleaning products as these may damage the surface.

If spots or corrosion appear on the surface it is not due to the stainless steel quality, but to impurities in the environment, aggressive conditions or improper or insufficient cleaning.

Lever handle AJ97, small - brass

Item number	Surface
12404201038	Polished

Arne Jacobsen collection

Product Solid rose, cc 38mm, 33-59mm.

Tender text Arne Jacobsen collection, lever handle AJ small pair, 8x8mm, solid rose, cc 38mm, 33-59mm in polished brass. Certified in accordance with EN 1906 to 47-B1140U. 20-year warranty.

Re-handle®

[Re-handle your product here](#)

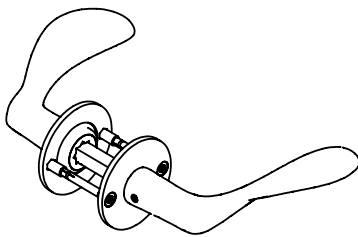
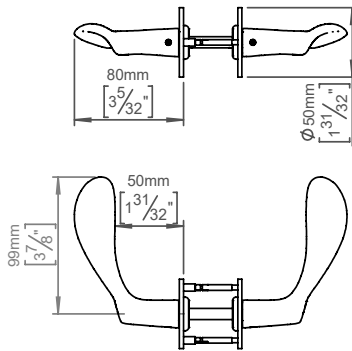
Re-handle® this product (does not apply to coated items) to prolong its life span up to 100 years, lowering the Global Warming potential (CO2) between 54-91% depending on the product.

Product specification Dimensions: 124x50x80mm

Material: brass

Surface finish: polished

[20-year warranty \(5 years for coated items\)](#)



Available finishes

Solid metal



Polished brass

Spare parts/ accessories

14970102019 - Grub screw M5x8,3mm
 P 70P - Sectioned bolt set M4x110mm with bush
 14281092092 - Spindle for door 33-59mm
 14976700105 - TX10 tool kit

Mounting

<https://dline.com/mounting-instructions/>

Product care

d line products are produced in the highest quality brass. To sustain the unique d line finish please follow the below instructions:

- Wash down the surfaces using soapy water or mild detergent
- Always thoroughly rinse off with clean water
- To complete the cleaning procedure dry/polish the surface with a soft dry cloth

Please do not use scouring powder, steel wool, chloride based detergents or other aggressive cleaning products as these may damage the surface.

If spots or corrosion appear on the surface it is not due to the stainless steel quality, but to impurities in the environment, aggressive conditions or improper or insufficient cleaning.