

BUSTER+PUNCH

LONDON

[product.]

FORKED PENDANT / SHADE / GLOBE

[type. **PENDANT LIGHT.**]

[detail. **FORKED.**]

[process. **ROUGH-CAST.**]

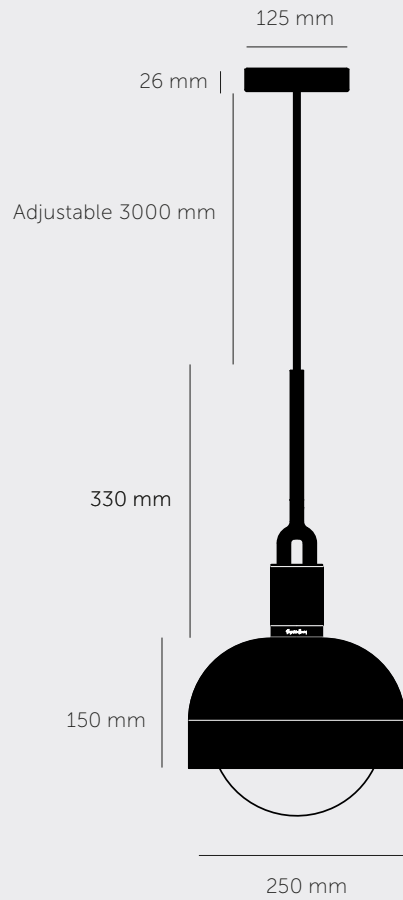
[region. **UK + EUROPE + AUSTRALIA.**]

A light pendant made from cast and machined metal, featuring our signature diamond-cut linear knurl pattern and fork detailing, refined by hand. Its shade is made from hand-spun metal and it comes with a handblown glass globe.



[size. **MEDIUM.**]

[info. **MEASUREMENTS.**]



[info. **SPECIFICATIONS.**]

Pendant light

1x solid metal lamp holder

Adjustable 3000 mm cable

E27 / 220-240 VAC / IP20

Max 7.5W

Bulb included

CB Certified / Class 1

1x solid metal light shade

1x hand-blown glass globe

E27 compatible

[info. **FINISH & SKU NUMBERS.**]

[finish.]

[EU + ANZ.]

[UK.]

| | | | |
|--|----------------------|------------|------------|
| | Steel / Opal | RFP-833101 | GFP-833101 |
| | Burnt Steel / Opal | RFP-893121 | GFP-893121 |
| | Brass / Opal | RFP-813091 | GFP-813091 |
| | Gun Metal / Opal | RFP-863111 | GFP-863111 |
| | Steel / Smoked | RFP-833102 | GFP-833102 |
| | Burnt Steel / Smoked | RFP-893122 | GFP-893122 |
| | Brass / Smoke | RFP-813092 | GFP-813092 |
| | Gun Metal / Smoked | RFP-863112 | GFP-863112 |

[info. **CARE INSTRUCTIONS.**]

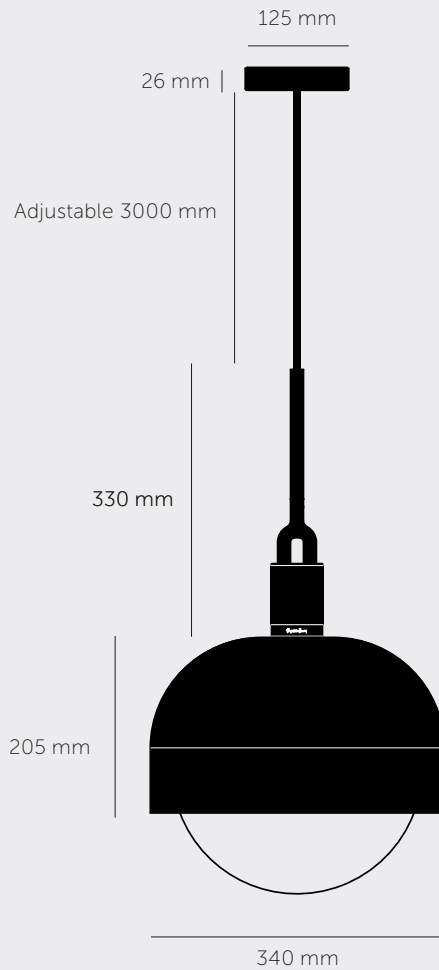
Wipe with damp cloth with no loose hairs, avoid using any chemicals. All finishes are prone to ageing.

[please. **NOTE.**]

DISCLAIMER: Always consult a trade professional when installing this light. Buster + Punch is not responsible for the usage or feasibility of installation requirements. This product is not suitable for damp or wet environments.

[size. **LARGE.**]

[info. **MEASUREMENTS.**]



[info. **SPECIFICATIONS.**]

Pendant light

1x solid metal lamp holder

Adjustable 3000 mm cable

E27 / 220-240 VAC / IP20

Max 7.5W

Bulb included

CB Certified / Class 1

1x solid metal light shade

1x hand-blown glass globe

E27 compatible

[info. **FINISH & SKU NUMBERS.**]

[finish.]

[EU + ANZ.]

[UK.]

| | | | |
|--|----------------------|------------|------------|
| | Steel / Opal | RFP-833103 | GFP-833103 |
| | Burnt Steel / Opal | RFP-893123 | GFP-893123 |
| | Brass / Opal | RFP-813093 | GFP-813093 |
| | Gun Metal / Opal | RFP-863113 | GFP-863113 |
| | Steel / Smoked | RFP-833104 | GFP-833104 |
| | Burnt Steel / Smoked | RFP-893124 | GFP-893124 |
| | Brass / Smoke | RFP-813094 | GFP-813094 |
| | Gun Metal / Smoked | RFP-863114 | GFP-863114 |

[info. **CARE INSTRUCTIONS.**]

Wipe with damp cloth with no loose hairs, avoid using any chemicals. All finishes are prone to ageing.

[please. **NOTE.**]

DISCLAIMER: Always consult a trade professional when installing this light. Buster + Punch is not responsible for the usage or feasibility of installation requirements. This product is not suitable for damp or wet environments.