

Safety instructions

Important! Before commencing installation work disconnect the main cable from the power supply - remove fuse or turn switch to "OFF"!

1. Installation should be carried out in accordance with the local safety regulations.
2. In order to prevent damage, please check walls for cables before drilling holes.
3. Please ensure that all electrical connections (even preassembled lamps) are screwed tightly or are fully inserted as good contact is essential for a long life-span at high currents. Please check for tight connections after changing or adjusting lamps. Screwed connections must be tightened after 20 minutes.
4. Please do not place objects on your system (e.g. for decorative purposes) if they were not delivered with the system.
5. The lamps get very hot when in use. Please allow lamps to cool down before touching.
6. Do not change lamps or spots when switched on.
7. System should not be enlarged with additional lamps.
8. Use of a dimmer is highly recommended. Dimmer must be compatible with type of bulb.
9. To avoid greasy fingerprints it is recommended to wear white cotton gloves when handling visible metal and glass parts.
10. If the external flexible cable or cord of this luminaire is damaged, it shall be exclusively replaced by the manufacturer or his service agent or a similar qualified person in order to avoid a hazard.
11. We reserve the right to make technical alterations.

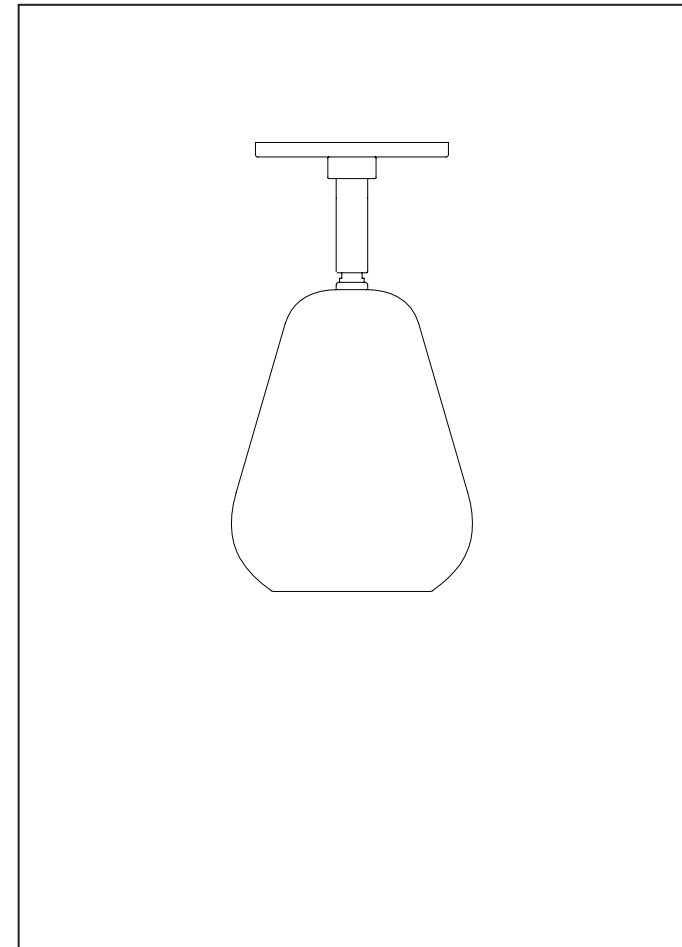
Please keep these instructions.

Fitting: GU10

2023-07-25 EU

Anoli Spot Recessed

Assembly Instructions



NUURA

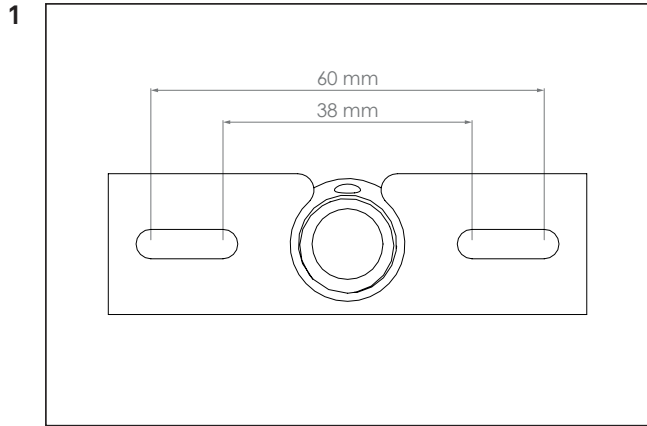
www.nuura.com
info@nuura.com

© 2022 All rights reserved

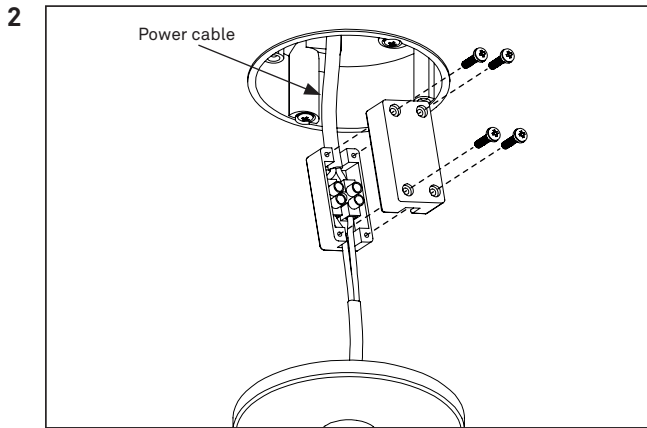


NUURA

© 2022 All rights reserved



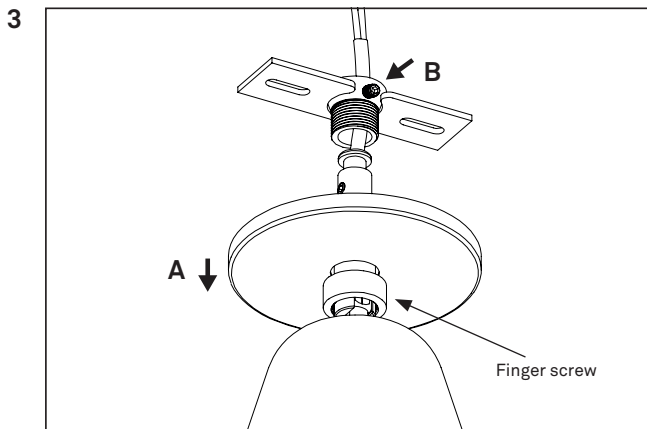
Mounting hole dimensions.



Open the connector box by unscrewing the four screws in the lid.

Connect the wire-ends on power cable to the cable terminals. Match the brown wire with "L" and the blue wire with "N".

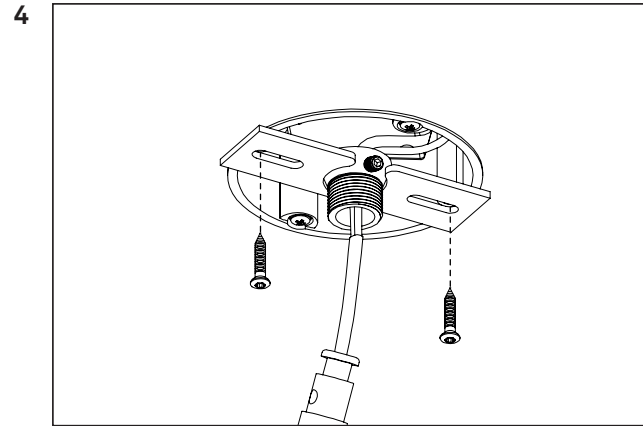
Close the connector box.



A: Unscrew the finger screw to release the cover plate.

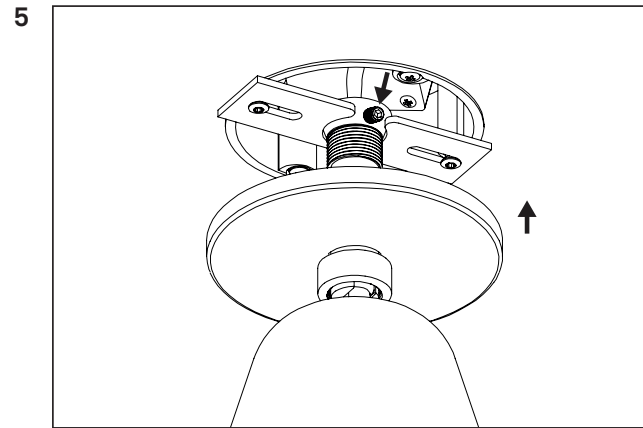
B: Unscrew the set screw to release the mounting bracket.

Finger screw



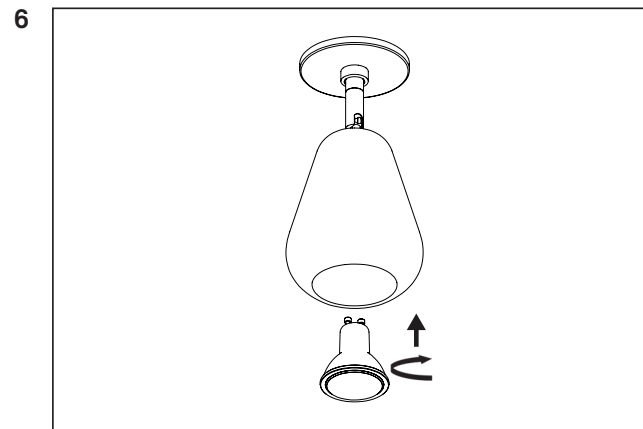
Hide the connector box behind the bracket.

Attach the mounting bracket to the wall or ceiling with screws.



Insert the lamp into the mounting bracket and secure it by tightening the set screw.

Slide the cover plate against the mounting surface. Secure it with the finger screw.



Place a GU10 light bulb in the socket by inserting it and twisting clockwise. The bulb is NOT included.

An appropriate suction cup can ease installation of the GU10 light bulb.

A recommended light bulb can be found on www.nuura.com.

Complete.