

Safety instructions

Important! Before commencing installation work disconnect the main cable from the power supply - remove fuse or turn switch to "OFF"!

1. Installation should be carried out in accordance with the local safety regulations.
2. In order to prevent damage, please check walls for cables before drilling holes.
3. Please ensure that all electrical connections (even preassembled lamps) are screwed tightly or are fully inserted as good contact is essential for a long life-span at high currents. Please check for tight connections after changing or adjusting lamps. Screwed connections must be tightened after 20 minutes.
4. Please do not place objects on your system (e.g. for decorative purposes) if they were not delivered with the system.
5. The lamps get very hot when in use. Please allow lamps to cool down before touching.
6. Do not change lamps or spots when switched on.
7. System should not be enlarged with additional lamps.
8. Use of a dimmer is highly recommended. Dimmer must be compatible with type of bulb.
9. To avoid greasy fingerprints it is recommended to wear white cotton gloves when handling visible metal and glass parts.
10. If the external flexible cable or cord of this luminaire is damaged, it shall be exclusively replaced by the manufacturer or his service agent or a similar qualified person in order to avoid a hazard.
11. We reserve the right to make technical alterations.

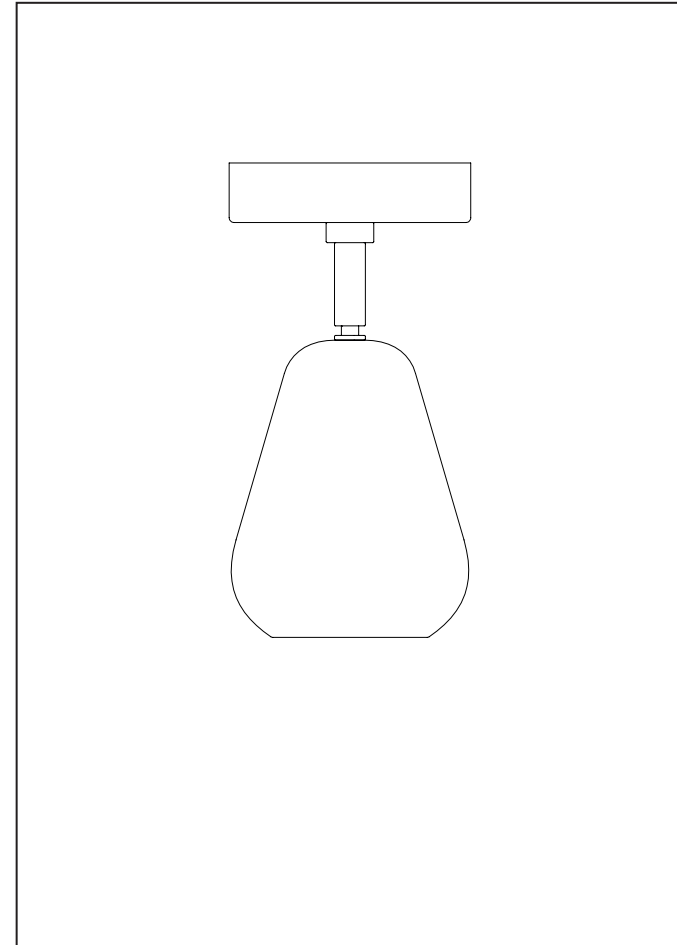
Please keep these instructions.

Fitting: GU10

2023-12-15 EU

Anoli Spot Surface

Assembly Instructions



NUURA

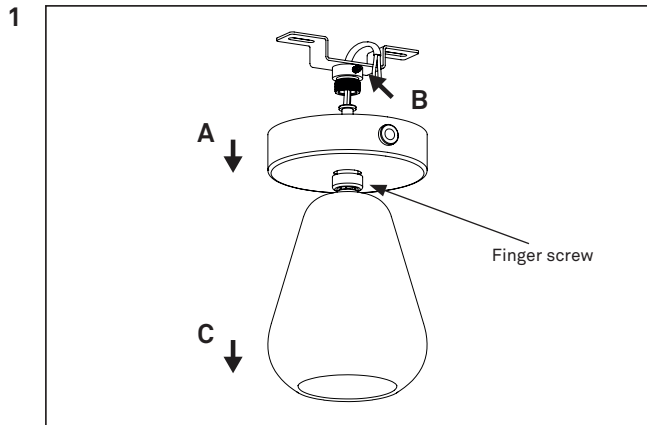
www.nuura.com
info@nuura.com

© 2023 All rights reserved



NUURA

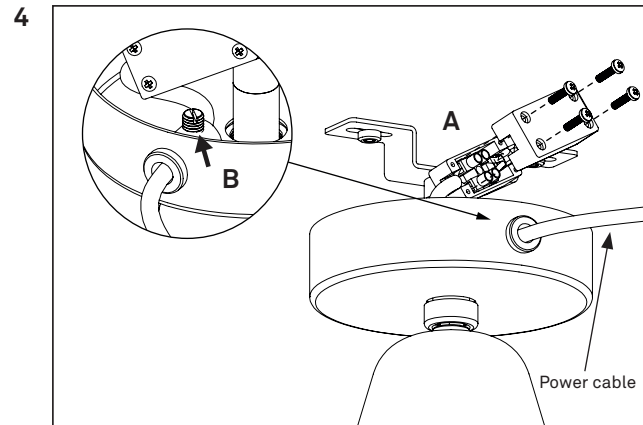
© 2023 All rights reserved



A: Disassemble the lamp from bracket by unscrewing the finger nut and slide the canopy cover towards the shade.

B: Release the lamp by loosening the set screw.

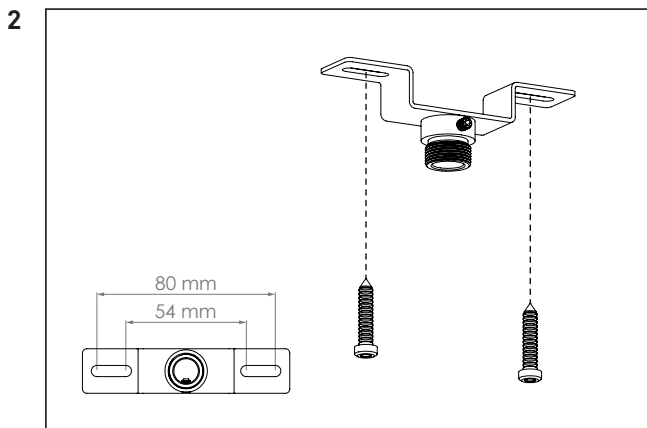
C: Pull the lamp out of the bracket.



A: Connect the lamp cable to the cable terminal inside the connector box.

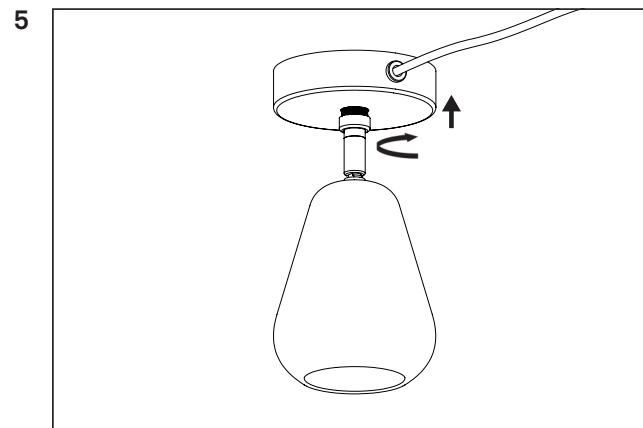
Insert the power cable through the plug in the canopy and connect on the opposite side of the cable terminal.

B: Tighten the strain relief inside the canopy to secure the cable.

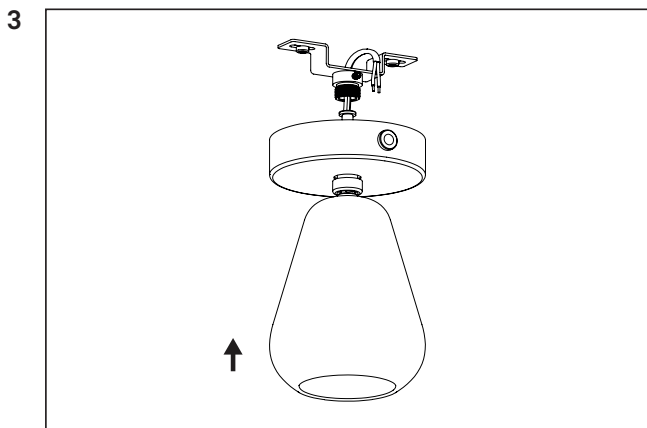


Attach the mounting bracket to the wall or ceiling with screws. (Not included)

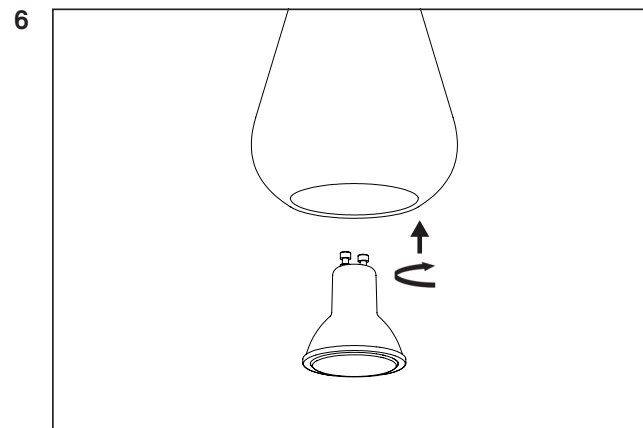
Make sure to use appropriate screws and rawlplugs/anchors.



Slide the cover plate against the mounting surface. Secure it with the finger screw.



Reattach the lamp by inserting it into the bracket and tighten the set screw.



Place a GU10 light bulb in the socket by inserting it and twisting clockwise. The bulb is NOT included.

An appropriate suction cup can ease installation of the GU10 light bulb.

A recommended light bulb can be found on www.nuura.com.

Complete.