

CONTENTS

1 X Rockstar body
4 X screws

VOLTAGE:

240V, 50Hz

CARE INSTRUCTIONS:

Use mild detergent and soft damp cloth

IMPORTANT SAFETY INSTRUCTIONS:

This appliance is not to be used by persons (including children) with reduced physical, sensory or mental capabilities, or lack of experience and knowledge, unless under strict supervision by a capable adult.

This appliance is not to be used by children.

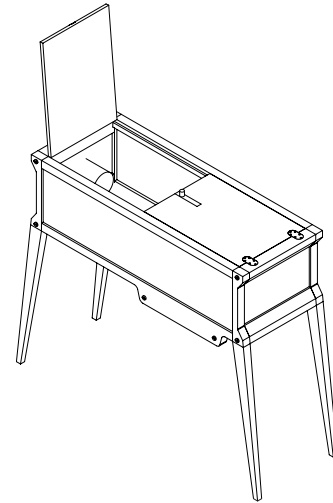
If the external cable or cord of this product is damaged it should be replaced by the manufacturer or his service agent in order to avoid a hazard.



Buster and Punch encourages all of its customers to make note of this symbol and avoid putting any waste electrical goods in your domestic waste bin or container. Please ensure you take your waste electrical goods to a suitable facility for disposal.

BUSTER+PUNCH
LONDON

ROCKSTAR BAR INSTRUCTION MANUAL

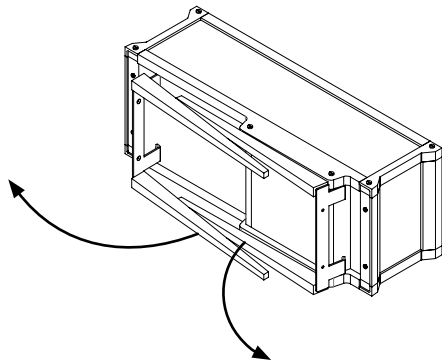


BUSTERANDPUNCH.COM

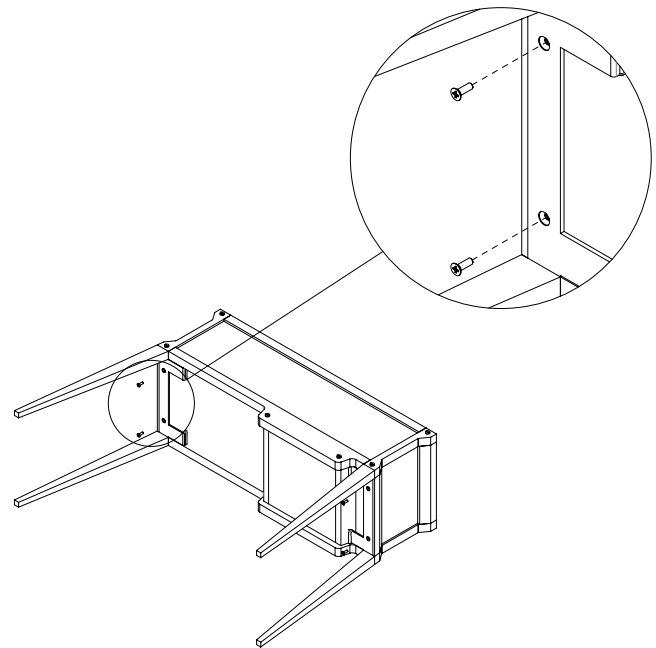
L0042

THE ROCKSTAR BAR / INSTALLATION

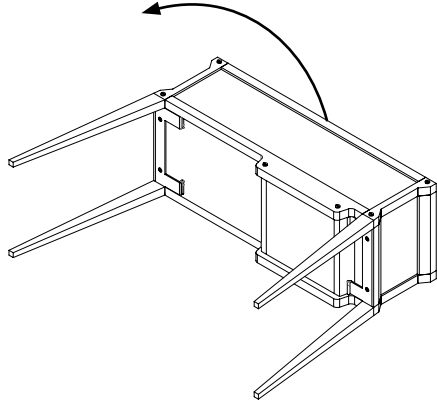
- 1 Using a sheet for protection underneath, keep the rockstar on its back. Carefully fold out the legs, making sure the metal plate is flush against the timber.



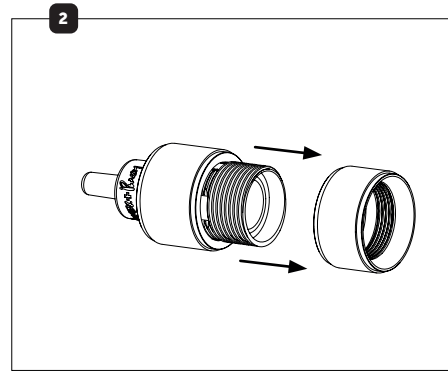
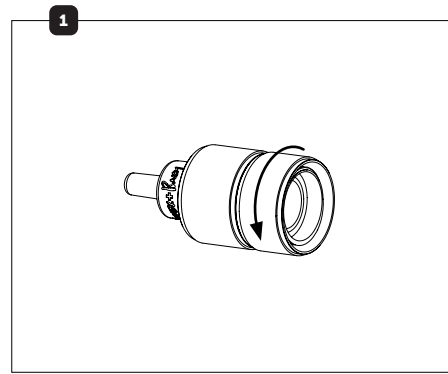
- 2 Using the screws supplied, fix the leg plates down to the main rockstar body.



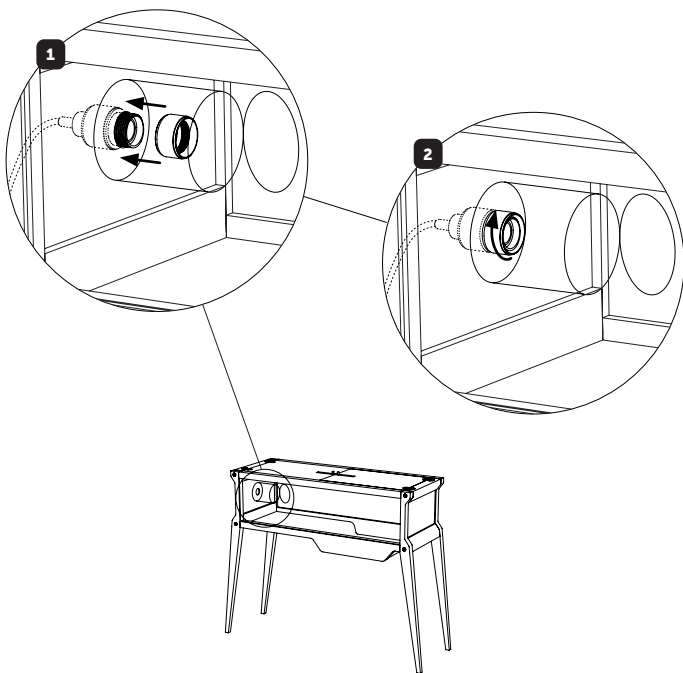
3 Ensuring the screws are properly installed, carefully stand the rockstar upright.



4 Unscrew the smaller metal ring from the light fitting.



5 Feed light fitting through hole in the side of the bar. Re-attach metal ring back onto the light fitting, through the metal cage.



6 Fix light bulb into light fitting, and close cage lid for safety. Plug in the light cable. Congratulations, you're a rockstar!

