



BUSTER + PUNCH

MESHED COLLECTION



TECH SPECS

# BUSTER + PUNCH

LONDON

## MESHED COLLECTION



A collection of functional tables and planters, made from matt black steel and perforated mesh. Designed to softly diffuse your amazing walls and floors, rather than hide them.

MESHED includes a SIDE table, COFFEE table and PLANTER, finished in matt black powder coat and our signature solid metal coin screws. The range is modular and the tables and planters can be placed next to each other to make larger arrangements.

# BUSTER + PUNCH

LONDON

## MESHED / SIDE TABLE

TECH SPEC



## MESHED / SIDE TABLE

A side table made from matt black steel and perforated mesh. The table is finished with our signature solid metal coin screws, choose from brass and steel (both included). Can be placed on it's own or side-by-side to create larger arrangements.

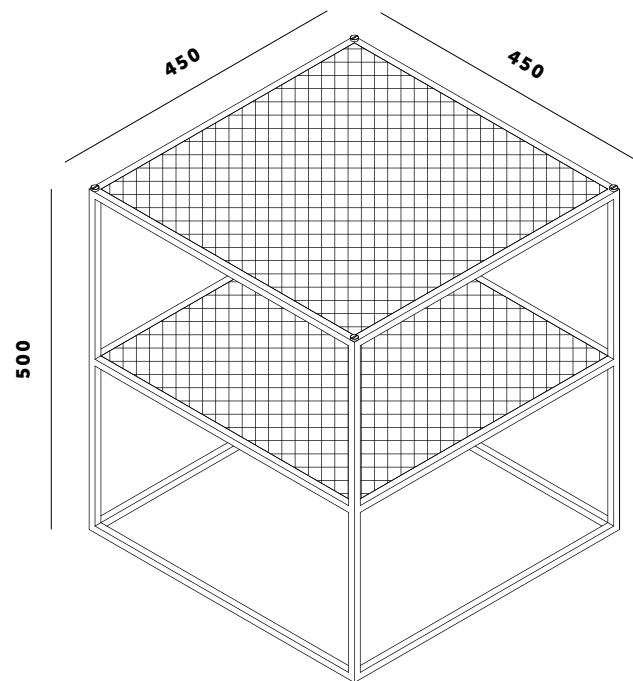
[busterandpunch.com](http://busterandpunch.com)  
[info@busterandpunch.com](mailto:info@busterandpunch.com)

BUSTER + PUNCH

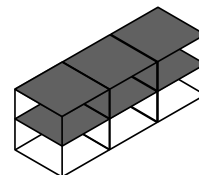
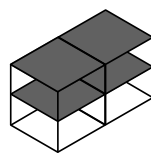
LONDON

MESHED / SIDE TABLE


TECH SPEC



ALTERNATIVE DISPLAYS



FINISH

 Black metal

SKU

FMESSEU

SPECIFICATIONS

All MESHED products are made for indoor use only. If you use this product outside, then please note that some rust will occur over time. When picking up MESHED products, please ensure you do so by the legs to avoid any sharp edges from the mesh.

Care instructions:

Wipe with damp cloth with no loose hairs, avoid using any chemicals. Please note all finishes are prone to aging.

# BUSTER + PUNCH

LONDON

## MESHED / COFFEE TABLE

TECH SPEC



## MESHED / COFFEE TABLE

A coffee table made from matt black steel and perforated mesh. The table is finished with our signature solid metal coin screws, choose from brass and steel (both included). Can be placed on it's own or side-by-side to create larger arrangements.

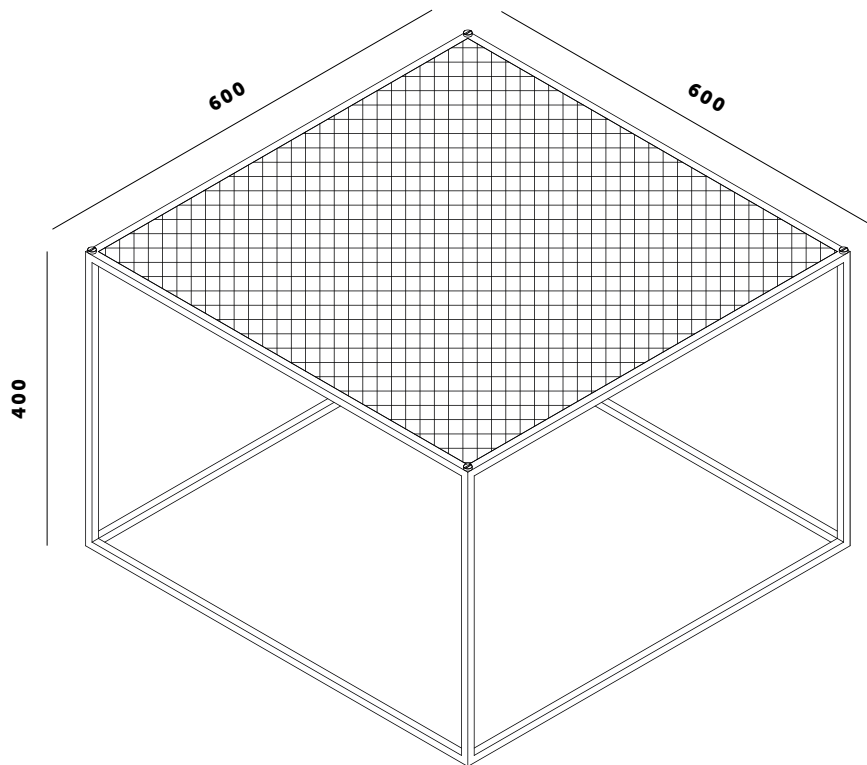
[busterandpunch.com](http://busterandpunch.com)  
[info@busterandpunch.com](mailto:info@busterandpunch.com)

BUSTER + PUNCH

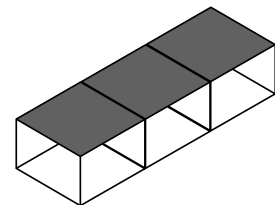
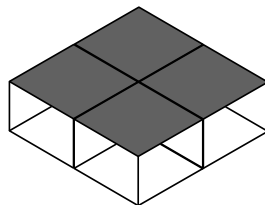
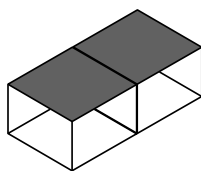
LONDON

MESHED / COFFEE TABLE


TECH SPEC



ALTERNATIVE DISPLAYS



FINISH

 Black metal

SKU

FMESCEU

SPECIFICATIONS

All MESHED products are made for indoor use only. If you use this product outside, then please note that some rust will occur over time. When picking up MESHED products, please ensure you do so by the legs to avoid any sharp edges from the mesh.

Care instructions:

Wipe with damp cloth with no loose hairs, avoid using any chemicals. Please note all finishes are prone to aging.

**BUSTER + PUNCH**  
LONDON

**MESHED / PLANTER**  
TECH SPEC



**MESHED / PLANTER**

A planter made from matt black steel and perforated mesh. The planter is finished with our signature solid metal coin screws, choose from brass and steel (both included). The planter has a solid steel base to collect any water overspill and can also be used to store books and other accessories. Can be placed on it's own or side-by-side to create larger arrangements.

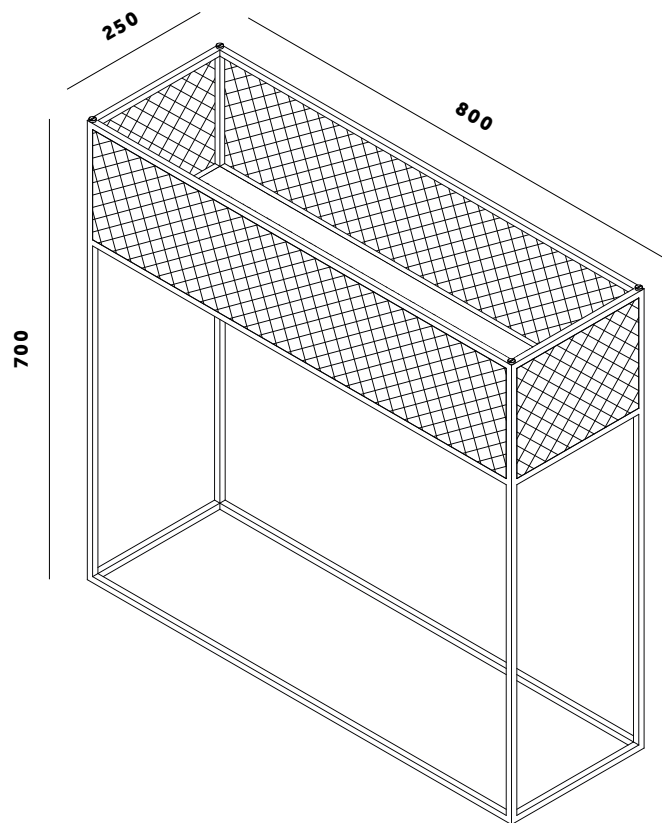
[busterandpunch.com](http://busterandpunch.com)  
[info@busterandpunch.com](mailto:info@busterandpunch.com)

# BUSTER + PUNCH

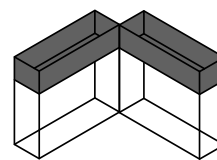
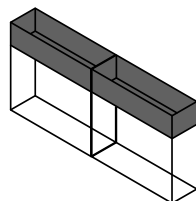
LONDON

## MESHED / PLANTER


TECH SPEC



**ALTERNATIVE DISPLAYS**



**FINISH**

 Black metal

**SKU**

**FMESPEU**

**SPECIFICATIONS**

All MESHED products are made for indoor use only. If you use this product outside, then please note that some rust will occur over time. Please ensure you pick up the PLANTER from the outside to avoid any sharp edges.

**Care instructions:**

Please remove any excess water that spills into the PLANTER base to avoid damage and rust. Wipe with damp cloth with no loose hairs, avoid using any chemicals. Please note all finishes are prone to aging.





**BUSTER + PUNCH**

LONDON

**MESHED COLLECTION**

**SALES ENQUIRIES**

[info@busterandpunch.com](mailto:info@busterandpunch.com)

**FOLLOW US**

twitter: @busterandpunch  
instagram: @busterandpunch  
facebook: busterandpunch

**BUSTER + PUNCH / LONDON**

28 Cowper Street  
Shoreditch  
London EC2A 4AS  
+44 (0)20 7407 0888

[london@busterandpunch.com](mailto:london@busterandpunch.com)

**BUSTER + PUNCH / STOCKHOLM**

Artillerigatan 25  
114 45  
Stockholm  
+46 (0)76 577 46 50

[stockholm@busterandpunch.com](mailto:stockholm@busterandpunch.com)