

ADDICTED TO US

Product



Colours



Description

This one is Addicted To Us!
 Leather, brass and smoked faceted glass, all combined into this amazing pendant.
 Addicted to us has a large mouth blown outer shade in smoked glass, a faceted inner glass pipe and stitched leather straps to hang from. This makes Addicted To Us a raw but aesthetic décor lamp.

Dimensions

Lamp height	27	cm
Lamp diameter	Ø32	cm
Canopy size	Ø9,5x6,5	cm
Wire length	250	cm
Item weight	2,1	kg

Material

Mouth blown smoke coloured glass & clear faceted glass inside, brass top with cognac coloured leather straps,
 Fabric electrical cord with rounded black ceiling cup

Gold suspension w. cognac leather

EAN: 5713874226036

Style No.: 22603

Black suspension w. black leather

EAN: 5713874226043

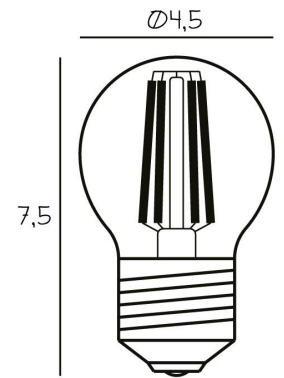
Style No.: 22604

Package information

Package type:	Cardboard box	
Package Measurement:	L - 38 x W - 38 x H - 33 cm	
Package weight - Total:	2,8	kg
Number of parcels:	1	pcs.
Colli quantity:	1	pcs.

Light source

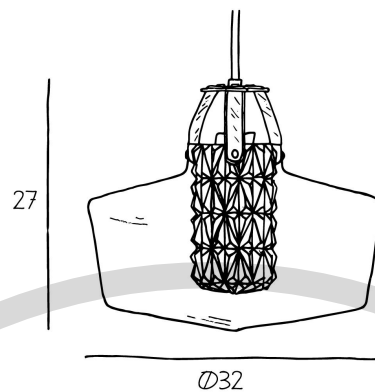
Recommended bulb type:	Arbitrary bulb Ø45	
Socket:	E27	
Voltage:	220 - 240 V (CE) 110 V (US)	
Max. light output:	3,5 W LED	
Colour Temp.:	2200 Kelvin	
Lumen:	245	
Dimmable:	Yes	
Lightbulb incl.:	No	



Contents

- Glass
- Cord

Technical drawing



Use restrictions

Environment	-	Indoors
IP Classification	-	IPXX
Certifications and labels		

Safety instructions

If the cord or other electrical parts are damaged, switch off the lamp and do not use it until it is repaired by a qualified electrician.

Installation instructions

