

Lever handle L

Item number 14101102018
Surface Satin finish

Knud Holscher collection

Product 16L, pair, 8x8mm, solid rose, cc 30mm, 33-59mm.

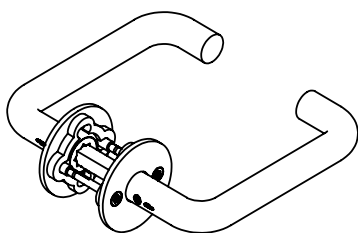
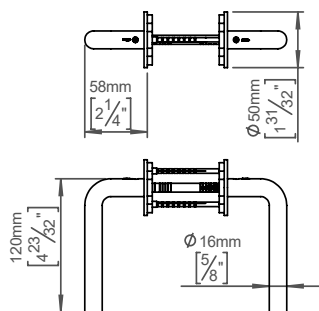


Tender text Knud Holscher collection, lever handle 16L pair, 8x8mm, solid rose, cc 30mm, 33-59mm. Manufactured in the highest quality marine grade, AISI 316 stainless steel, protecting against high levels of corrosion. Unique ball bearing system to secure extraordinary long lifespan. Certified in accordance with EN 1906 to 47-B1140U. 20-year warranty.

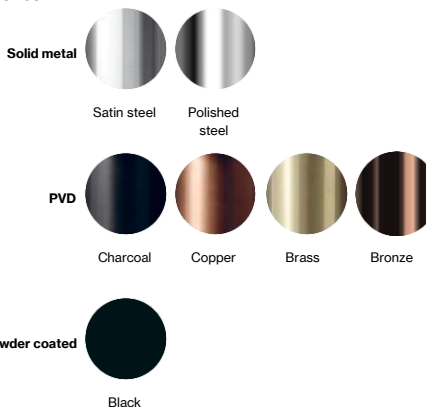
Re-handle®

[Re-handle your product here](#) Re-handle® this product (does not apply to coated items) to prolong its life span up to 100 years, lowering the Global Warming potential (CO2) between 54-91% depending on the product.

Product specification Dimensions: 137x50x58mm
 Diameter: Ø16mm
 Material: stainless steel AISI 316
 Surface finish: satin grain 320, crafted by hand
[20-year warranty \(5 years for coated items\)](#)



Available finishes



Spare parts/ accessories 14970102016 - Grub screw M5x6,8mm
 14296174107 - Sectioned bolt set M4x110mm with bush
 14281092092 - Spindle for door 33-59mm
 14976700105 - TX10 tool kit
 14970474040 - Machine screw M4 x 39, for 40mm door. 2 pcs.

Mounting <https://dline.com/mounting-instructions/>

Product care
 d line products are produced in the highest quality marine grade AISI 316 stainless steel. To sustain the unique d line finish please follow the below instructions:
 • Wash down the surfaces using soapy water or mild detergent
 • Always thoroughly rinse off with clean water
 • To complete the cleaning procedure dry/polish the surface with a soft dry cloth
 Please do not use scouring powder, steel wool, chloride based detergents or other aggressive cleaning products as these may damage the surface.
 If spots or corrosion appear on the surface it is not due to the stainless steel quality, but to impurities in the environment, aggressive conditions or improper or insufficient cleaning.

Lever handle L

Item number 14161102017
Surface Satin finish

Knud Holscher collection

Product 19L, pair, 8x8mm, solid rose, cc 30mm, 33-59mm.



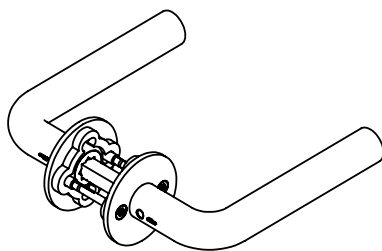
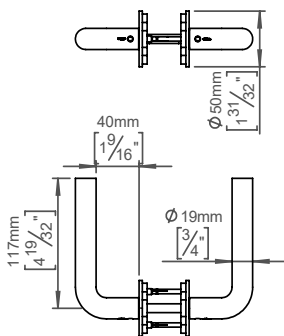
Tender text Knud Holscher collection, lever handle 19L pair, 8x8mm, solid rose, cc 30mm, 33-59mm. Manufactured in the highest quality marine grade, AISI 316 stainless steel, protecting against high levels of corrosion. Unique ball bearing system to secure extraordinary long lifespan. Certified in accordance with EN 1906 to 47-B1140U. 20-year warranty.

Re-handle®

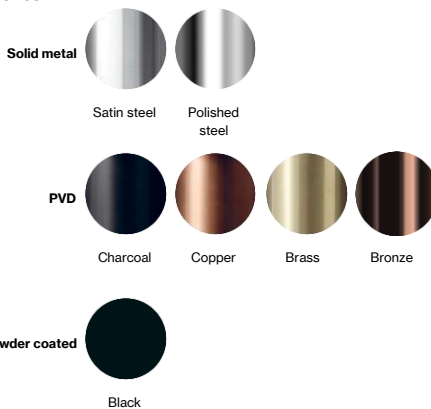
[Re-handle your product here](#)

Re-handle® this product (does not apply to coated items) to prolong its life span up to 100 years, lowering the Global Warming potential (CO2) between 54-91% depending on the product.

Product specification Dimensions: 142x50x61mm
 Diameter: Ø19mm
 Material: stainless steel AISI 316
 Surface finish: satin grain 320, crafted by hand
[20-year warranty \(5 years for coated items\)](#)



Available finishes



Spare parts/ accessories
 14970102019 - Grub screw M5x8,3mm
 14296174107 - Sectioned bolt set M4x110mm with bush
 14281092092 - Spindle for door 33-59mm
 14976700105 - TX10 tool kit

Mounting <https://dline.com/mounting-instructions/>

Product care
 d line products are produced in the highest quality marine grade AISI 316 stainless steel. To sustain the unique d line finish please follow the below instructions:
 • Wash down the surfaces using soapy water or mild detergent
 • Always thoroughly rinse off with clean water
 • To complete the cleaning procedure dry/polish the surface with a soft dry cloth
 Please do not use scouring powder, steel wool, chloride based detergents or other aggressive cleaning products as these may damage the surface.
 If spots or corrosion appear on the surface it is not due to the stainless steel quality, but to impurities in the environment, aggressive conditions or improper or insufficient cleaning.