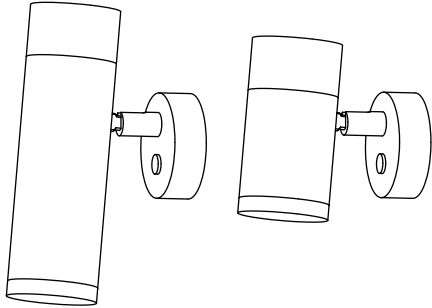


Patrone Wall Lamp



We hope you will enjoy your new Patrone Lighting and follow these instructions to ensure correct installation. For any questions contact us at: info@thorupcph.com

Please read these instructions carefully to ensure that the product is used in accordance with its intended purpose only. For installation we advise you to consult a professionally qualified electrician.

Thorup Cph is not responsible for any faults or damages caused by not following these instructions correctly. Do not modify this lamp in any way.

Each lamp is locally crafted in Copenhagen, by skilled artisans. Due to the hand-made process, each product is unique, and variations may occur.

LED GU10 - Max 4 Watts
Compatible with bulbs of energy classes A++
For indoor use only

Manual

Content

- Wall lamp fitted with canopy & wall bracket
- 2 x screws (for mounting the lamp with the wall bracket)
- 1 x Hex / Allen key (to tighten the pinol canopy)
- White gloves (Wear when installing the brass and nickel-plated brass version, to avoid dark marks on the product).

Tools needed

- Bulb Type: LED GU10
- Electric drill / Screwdriver
- Screws and plugs appropriate for wall

Safety Instructions

- Please read the instructions carefully before commencing assembly.
- Installation should be carried out in accordance with local safety regulations.
- Do not change the lightbulb while the fixture is switched on.
- The lamp is intended for indoor interior use only.
- In order to prevent damage, please check walls for cables before drilling holes.

Mounting

Mounted directly to finished surface with the circular canopy. Standard configured as hard-wired to be installed directly, but can be re-configured to plug-in, using our Wall Lamp Kit (not included).

Materials

Brass is an honest material with an innate character, that will naturally patina and improve with time. The material will instantly oxidize when exposed to air, humidity and other external stimuli and brass discoloration will occur. This is not a flaw but should be considered as unique features of the material.

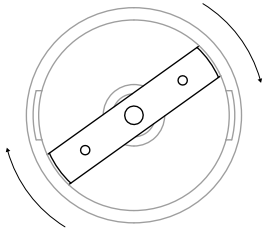
Following a hand-made process that enhances each surface with a refined finish, variations in the products may occur, making each lamp unique.

Care & Maintenance

This product is made from solid brass. For regular cleaning, use a soft, dry cloth without loose fibres. Do not use a sponge, polishing creams and/or cloths, chemical or abrasive cleaners and avoid using water. To retain the bright finish or remove dark stains from the raw brass surface, we recommend using our Brass Care Kit. More info about product care visit: thorupcopenhagen.com

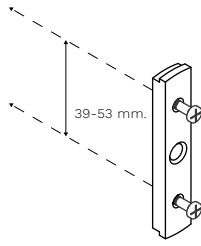


INSTALLATION



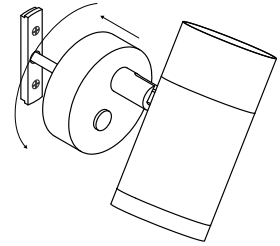
Step 1

To unfasten the wall-bracket from the canopy carefully turn it clockwise until it is released. We recommend using the white gloves for the solid brass and nickel-plated brass version.



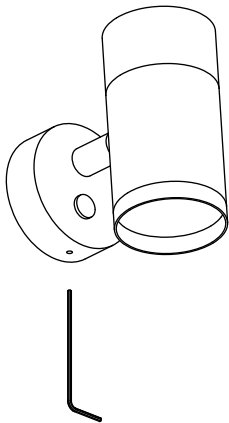
Step 2

Drill the holes with a distance of 39-53 mm. for the bracket, and use the correct type of screw and plug for the type of wall. Tighten the screws and ensure the bracket is safely fixed in place.



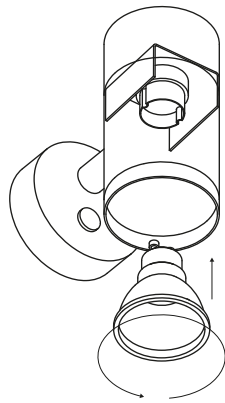
Step 3

Place the canopy over the wall-bracket. Align the canopy on the bracket by carefully turning it anti-clockwise until it is fixed in place.



Step 4

Carefully tighten the pinol with the included Hex / Allen key. Ensure not to over-tighten the pinol as it may cause damage to the product.



Step 5

Install the LED bulb firmly by pushing it upwards and carefully turn clockwise until it is fixed in place. Adjust the insert upwards or downwards, to set the light spread at a desired position.

Adjustment options

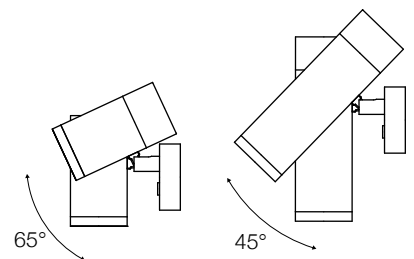
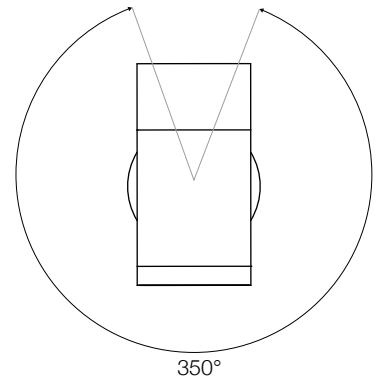
Use the tiltable and rotational neck to set the shade at a desired angle.

Rotation angle: 0-350°

Tilt angle:

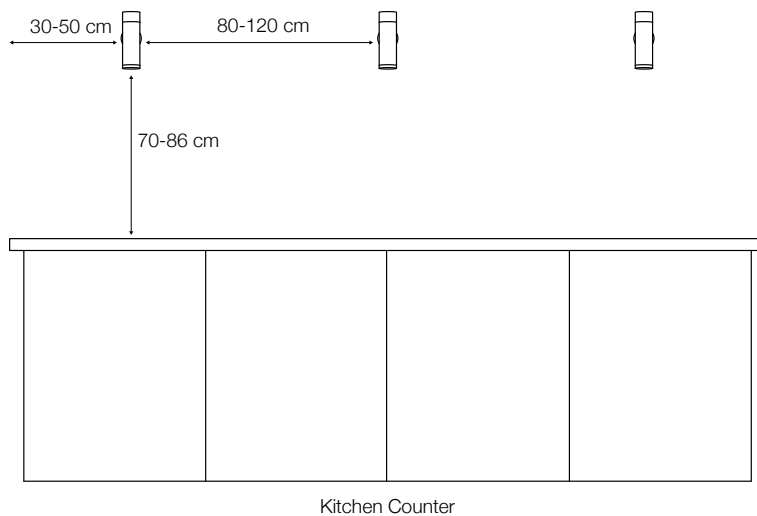
Wall Lamp 12 cm: 0-65°

Wall Lamp 20 cm: 0-45°



Spacing guide

We recommend using these measurements as a guide when installing Patrone Wall Lamp above your kitchen counter.



THORUP