

Safety instructions

Important! Before commencing installation work disconnect the main cable from the power supply - remove fuse or turn switch to "OFF"!

1. Installation should be carried out in accordance with the local safety regulations.
2. In order to prevent damage, please check walls for cables before drilling holes.
3. Please ensure that all electrical connections (even preassembled lamps) are screwed tightly or are fully inserted as good contact is essential for a long life-span at high currents. Please check for tight connections after changing or adjusting lamps. Screwed connections must be tightened after 20 minutes.
4. Please do not place objects on your system (e.g. for decorative purposes) if they were not delivered with the system.
5. The lamps get very hot when in use. Please allow lamps to cool down before touching.
6. Do not change lamps or spots when switched on.
7. System should not be enlarged with additional lamps.
8. Use of a dimmer is highly recommended. Dimmer must be compatible with type of bulb.
9. To avoid greasy fingerprints it is recommended to wear white cotton gloves when handling visible metal and glass parts.
10. If the external flexible cable or cord of this luminaire is damaged, it shall be exclusively replaced by the manufacturer or his service agent or a similar qualified person in order to avoid a hazard.
11. We reserve the right to make technical alterations.

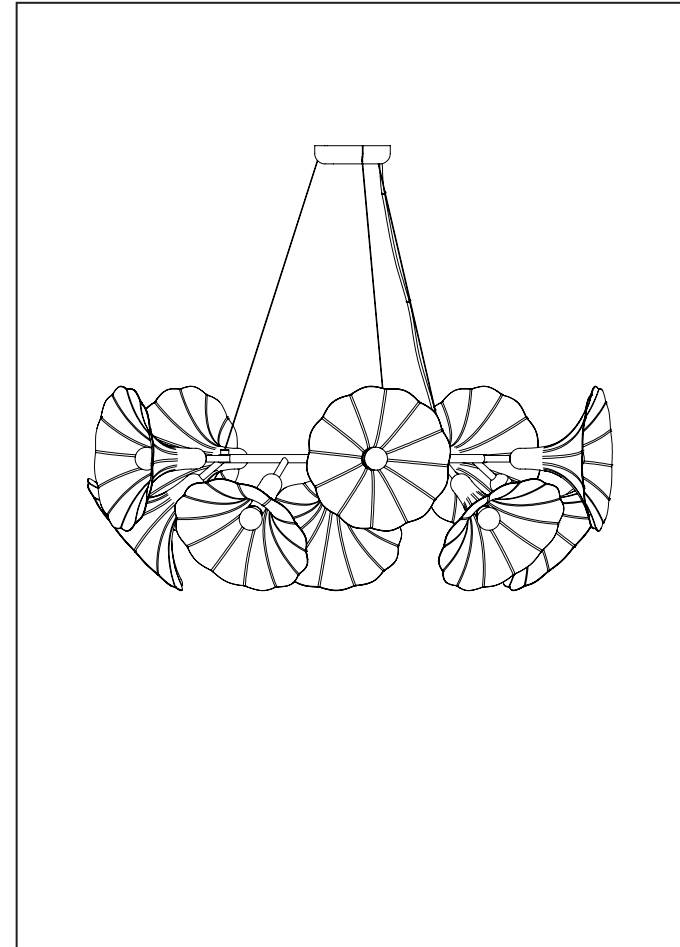
Please keep these instructions.

Fitting: E14

2023-07-10 EU

Petalli 10

Assembly Instructions



NUURA

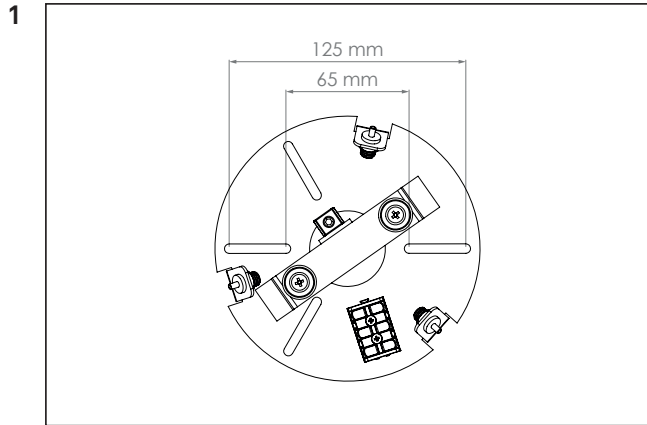
www.nuura.com
info@nuura.com

© 2023 All rights reserved

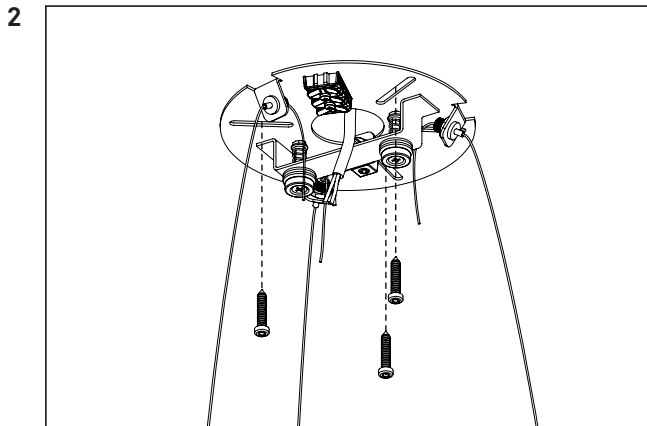


NUURA

© 2023 All rights reserved

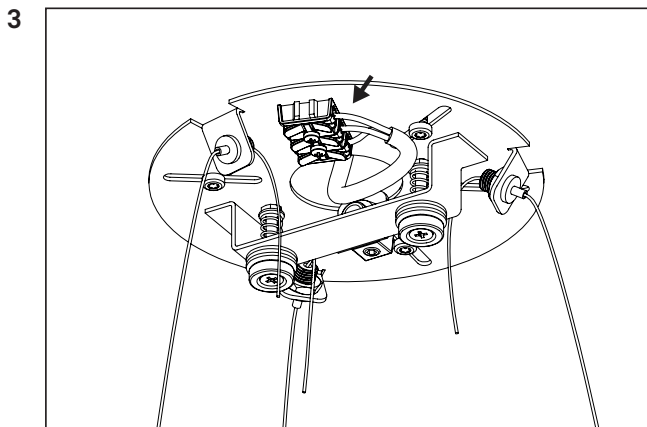


Mounting hole dimensions.

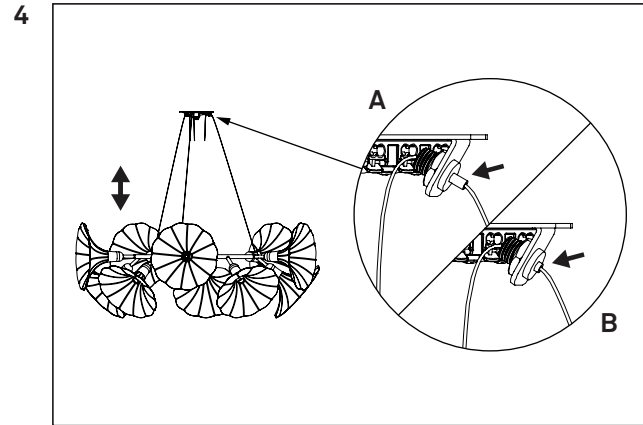


Attach the mounting bracket to the ceiling with screws. (Not included)

Make sure that the construction above the lamp is strong enough and to use appropriate screws and rawplugs/anchors.



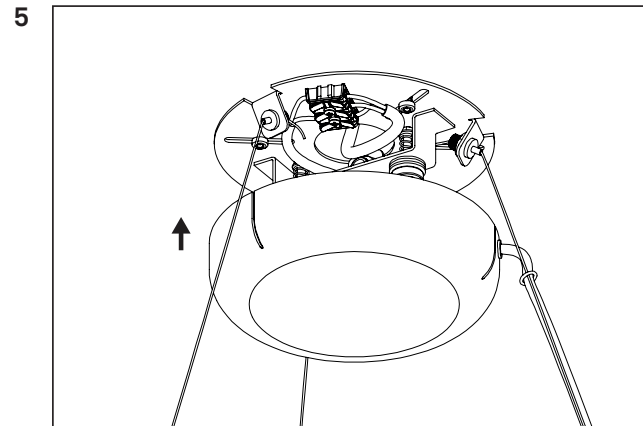
Connect the power cable to the cable terminal. Match the brown wire with "L", the blue wire with "N" and the green/yellow wire with the grounding symbol.



Push suspension wire through the wire locks on the mounting bracket to adjust the lamp. It is recommended to use a spirit level.

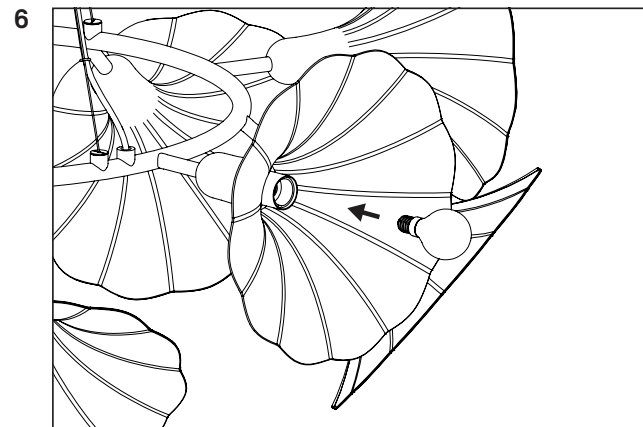
A: The wire lock grabs the wire when the wire is under tension.

B: Push down the pin on the wire locks to release the wire.



Cut excess cable from the lamp if necessary and reconnect it to the cable terminal.

Place the canopy cover over the mounting bracket. Be careful, the strong magnets snap the cover in place.



Screw in E14 light bulbs in the sockets. The bulbs are NOT included.

A recommended light bulb can be found on www.nuura.com

Complete.