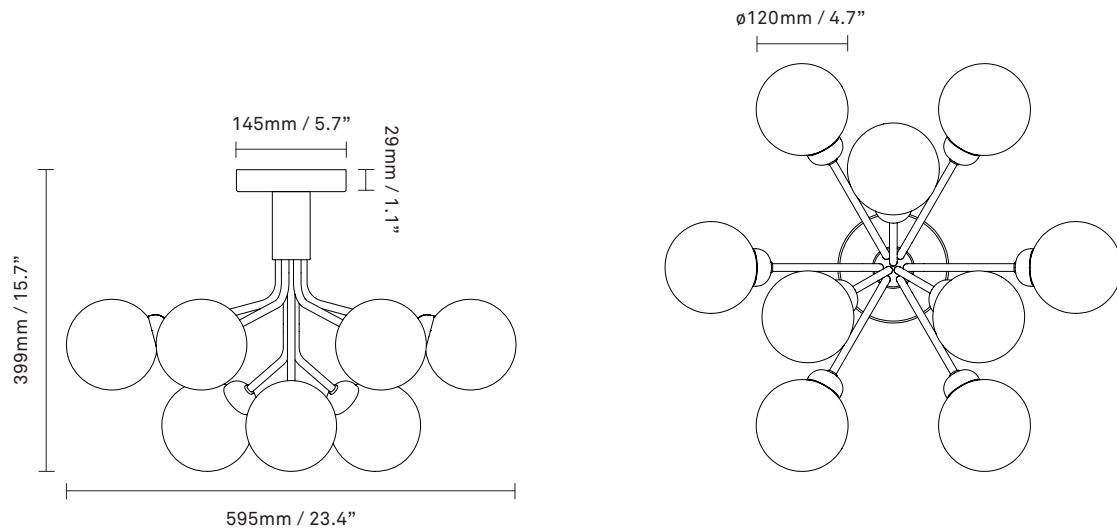


NUURA



APIALES 9 CEILING
satin black / opal

Design: Sofie Refer, 2019



Apiales 9 Ceiling in mouth-blown opal white glass and satin black finish.

Explore the rest of the Apiales collection on our website, [here](#)

Product no.: EU - 2059003 / US - 3059003

Type: Ceiling light - indoor

Colour: Glass: opal white / Metal: satin black

Materials: Anodized metal, mouth-blown glass

Dimensions: W: 595mm / 23.4in x H: 399mm / 15.7in
Ceiling plate: D145 mm / 5.7in
Glass: \varnothing 120mm / 4.7in

Weight: Armature + glass: 3990 g

Packaging: Dimensions: L: 515mm x W: 515mm
x H: 465mm
Weight: 2686 g
Total weight incl. product: 6676 g
Number of parcels: 1
Material: Brown cardboard.

Certifications: CE, ETL, IP20, Class I

For information about IP ratings, click [here](#)

Cleaning: Use a soft dry cloth to clean the product.
Do not use household cleaners.

Light source: Socket: G9
Max wattage: 5W LED
Voltage (V): 220-240V / 120V

See recommended light source [here](#)

Light source not included

Dimmable if installed with appropriate dimmable LED light source(s) suitable for your dimmer circuit.

Light source can be added to delivery on request or via our webshop [nuura.com](#).

Works with appropriate lighting control module. Module can be added to delivery on request.

Find our recommendations [here](#)