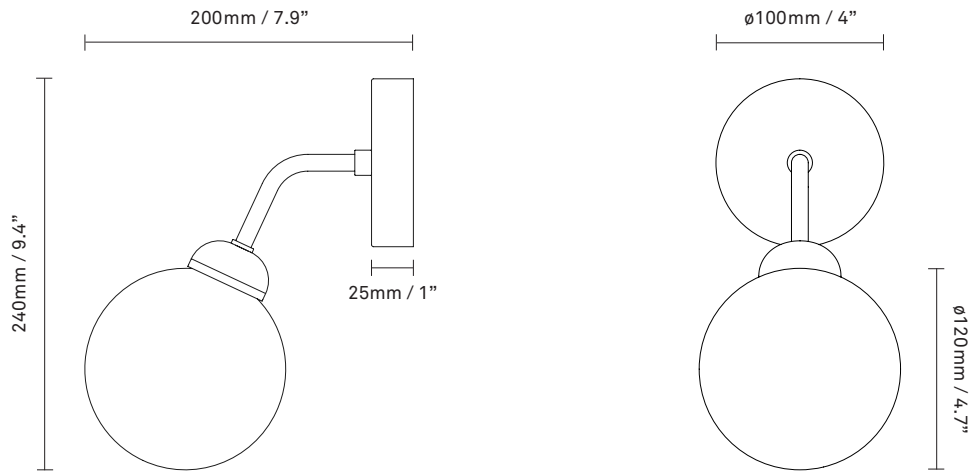


# NUURA



**APIALES WALL**  
**brushed brass / opal**

Design: Sofie Refer, 2021



**Apiales Wall** is available with a classic wall plate or as a hard-wired version, to be connected directly to the electrical wiring in the wall. Wall plate fits US 3½" pancake bracket.

Explore the rest of the **Apiales collection** on our website, [here](#)

**Product no.:** EU - 2055001 / US - 3055001

**Certifications:** CE, ETL, IP20, Class I

**Type:** Wall light - Indoor

**For information about IP ratings, click [here](#)**

**Colour:** Glass: opal white / Metal: brushed brass

**Cleaning:** Use a soft dry cloth to clean the product.  
Do not use household cleaners.

**Materials:** Anodized metal, mouth-blown glass

**Dimensions:** 240mm / 9.4in x 200mm / 7.9in  
Glass: ø120 / 4.7in

**Light source:** Socket: G9  
Max wattage: 5W LED  
Voltage (V): 220-240V / 120V

**Weight:** Armature + glass: 420g

**Packaging:** Dimensions: L: 355mm / 13.9in  
x W: 150mm / 5.9in x H: 155mm / 6.1in  
Weight: 310g  
Total weight incl. product: 730g  
Number of parcels: 1  
Material: Brown cardboard

**See recommended light source [here](#)**

**Light source not included**

**Dimmable if installed with appropriate dimmable LED light source(s) suitable for your dimmer circuit.**

Light source can be added to delivery on request or via our webshop [nuura.com](#).

Works with appropriate lighting control module. Module can be added to delivery on request.

**Find our recommendations [here](#)**