

# BUSTER+PUNCH

LONDON

[ product. ]

## FORKED PENDANT / SHADE

[ type. **PENDANT LIGHT.** ]

[ detail. **FORKED.** ]

[ process. **ROUGH-CAST.** ]

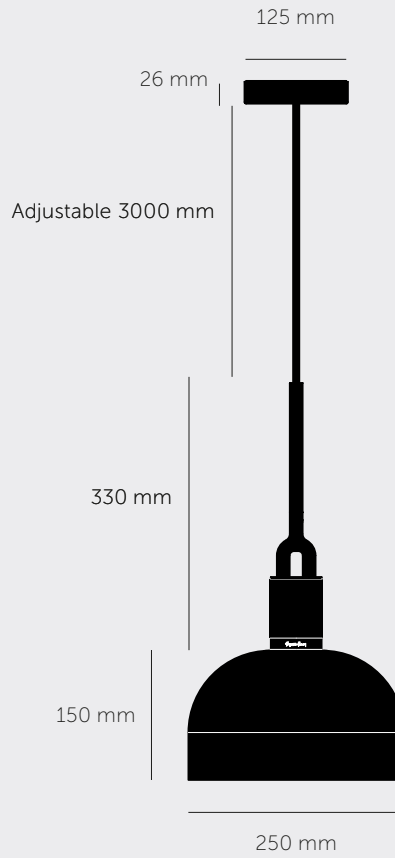
[ region. **UK + EUROPE.** ]

A light pendant made from cast and machined metal, featuring our signature diamond-cut linear knurl pattern and fork detailing, refined by hand. Its shade is made from hand-spun metal.



[ size. **MEDIUM.** ]

[ info. **MEASUREMENTS.** ]



[ info. **SPECIFICATIONS.** ]

Pendant light

1x solid metal lamp holder

Adjustable 3000 mm cable

E27 / 220-240 VAC / IP20

Max 7.5W

Bulb included

CB Certified / Class 1

1x solid metal light shade

[ info. **FINISH & SKU NUMBERS.** ]

[ finish. ]

[ EU. ]

[ UK. ]

Steel

RFP-833105

GFP-833105

Burnt Steel

RFP-893125

GFP-893125

Brass

RFP-813095

GFP-813095

[ info. **CARE INSTRUCTIONS.** ]

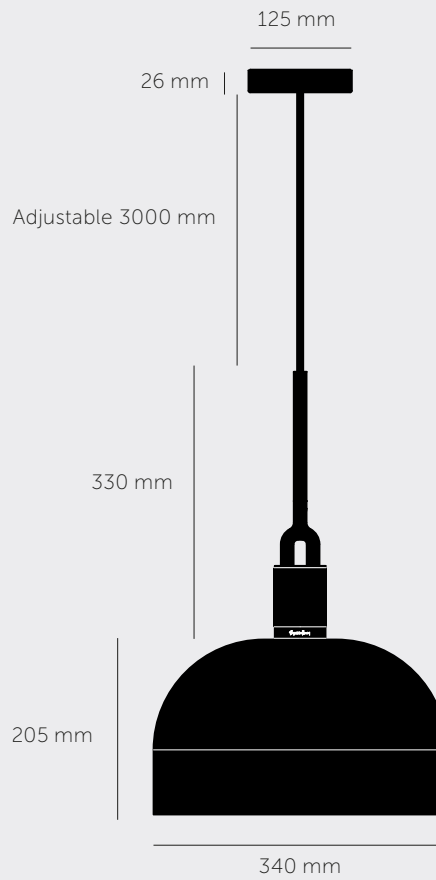
Wipe with damp cloth with no loose hairs, avoid using any chemicals. All finishes are prone to ageing.

[ please. **NOTE.** ]

DISCLAIMER: Always consult a trade professional when installing this light. Buster + Punch is not responsible for the usage or feasibility of installation requirements. This product is not suitable for damp or wet environments.

[ size. **LARGE.** ]

[ info. **MEASUREMENTS.** ]



[ info. **SPECIFICATIONS.** ]

Pendant light

1x solid metal lamp holder

E27 / 220-240 VAC / IP20

Max 7.5W

Bulb included

CB Certified / Class 1

1x solid metal light shade

[ info. **FINISH & SKU NUMBERS.** ]

[ finish. ]

[ EU ]

[ UK. ]

Steel

RFP-833106

GFP-833106

Burnt Steel

RFP-893126

GFP-893126

Brass

RFP-813096

GFP-813096

[ info. **CARE INSTRUCTIONS.** ]

Wipe with damp cloth with no loose hairs, avoid using any chemicals. All finishes are prone to ageing.

[ please. **NOTE.** ]

DISCLAIMER: Always consult a trade professional when installing this light. Buster + Punch is not responsible for the usage or feasibility of installation requirements. This product is not suitable for damp or wet environments.