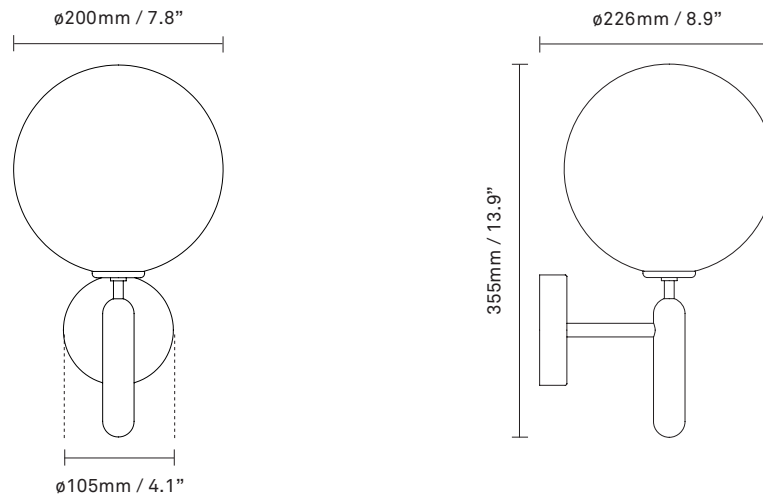


# NUURA



**MIIRA WALL OUTDOOR**  
**dark bronze / optic clear**

Design: Sofie Refer, 2022



**Miira Wall Outdoor** is a new addition to the Miira collection. The outdoor light sconce features a circular backplate and a solid candlestick arm in dark bronze metal finish, supporting a neatly mouth-blown globe in optic clear glass. The large optic clear glass allows a warm light to shine and brighten the areas by the front door, garage, outdoor lounge and more.

Explore the rest of the Miira collection on our website, [here](#)

**Product no.:** EU - 2035009

**Certifications:** CE, IP54, Class I

**Type:** Wall light - outdoor

**Cleaning:** Use a soft dry cloth to clean the product.  
Do not use household cleaners.

**Colour:** Glass: optic clear / Metal: dark bronze

**Materials:** Powder-coated metal, mouth-blown glass

**Light source:** Socket: G9  
Max wattage: 7W LED  
Voltage (V): 220-240V / 120V

**Dimensions:** 226mm / 8.9in x 355mm / 13.9in  
Glass:  $\varnothing$ 200mm / 7.8in

**See recommended light source [here](#)**

**Weight:** Armature + glass: 1150g

**Light sources not included**

**Packaging:** Dimensions: L: 325mm / 12.7in x  
W: 230mm / 9in x H: 215mm / 8,4in  
Weight: 610g  
Total weight incl. product: 1760g  
Number of parcels: 1  
Material: Brown cardboard

**Dimmable if installed with appropriate dimmable LED light source(s) suitable for your dimmer circuit.**

Light source can be added to delivery on request or via our webshop at [nuura.com](http://nuura.com).

Works with appropriate lighting control module. Module can be added to delivery on request.

**Find our recommendations [here](#)**