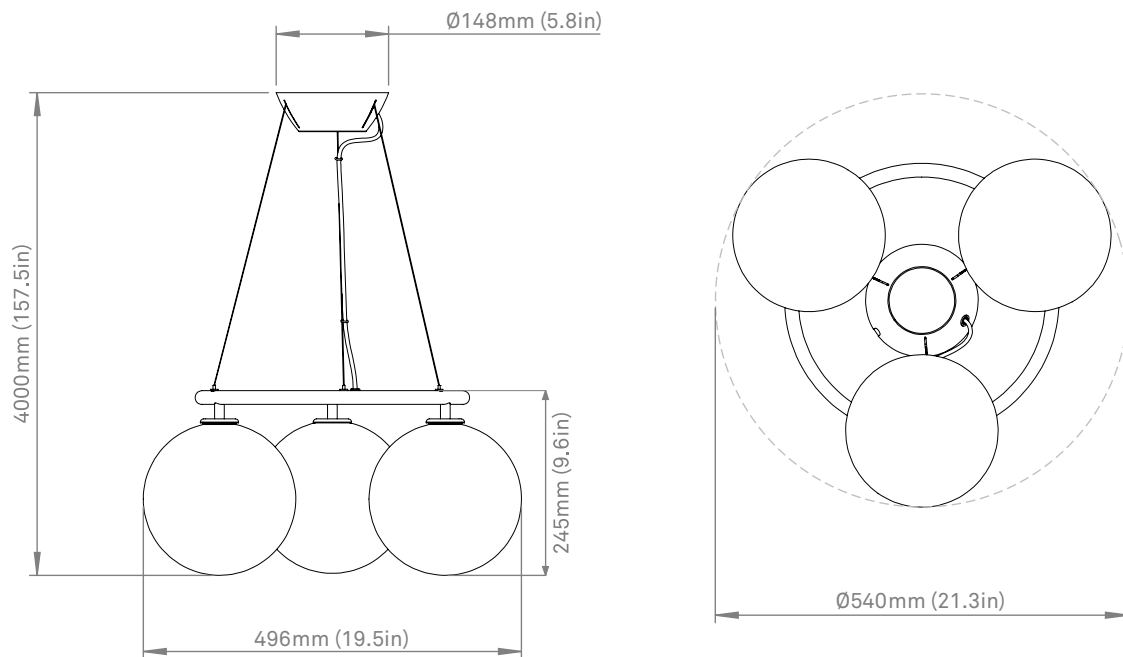


NUURA



MIIRA 3 CIRCULAR
brass / opal

Design: Sofie Refer, 2023



Miira 3 Circular is a mini-chandelier with a modern take on the classic centerpieces. The simple design and modest size make Miira 3 Circular relevant in many interior contexts.

Explore the rest of the **Miira collection** on our website, [here](#)

Product no.: EU - 2032044

Type: Chandelier - indoor

Colour: Glass: opal / Metal: brass

Materials: Wet painted metal, mouth-blown glass

Dimensions: 496mm / 19.5in x 245mm / 9.6in
Glass: \varnothing 200mm / 7.8in
Cable length: max 4000mm / 157.5in

Weight: Armature + glass: 3760g

Packaging: Dimensions: L: 660mm / 25.9 in x W: 535mm / 21.0 in x H: 235mm / 9.2 in
Weight: 1990g
Total weight incl. product: 5750g
Number of parcels: 4
Material: Brown cardboard

Certifications: CE, IP20, Class I

For information about IP ratings, click [here](#)

Cleaning: Use a soft dry cloth to clean the product.
Do not use household cleaners.

Light source: Socket: G9
Max wattage: 7W LED
Voltage (V): 220-240V / 120V

See recommended light source [here](#)

Light sources not included

Dimmable if installed with appropriate dimmable LED light source(s) suitable for your dimmer circuit.

Light source can be added to delivery on request or via our webshop at [nuura.com](#).

Works with appropriate lighting control module. Module can be added to delivery on request.

Find our recommendations [here](#)